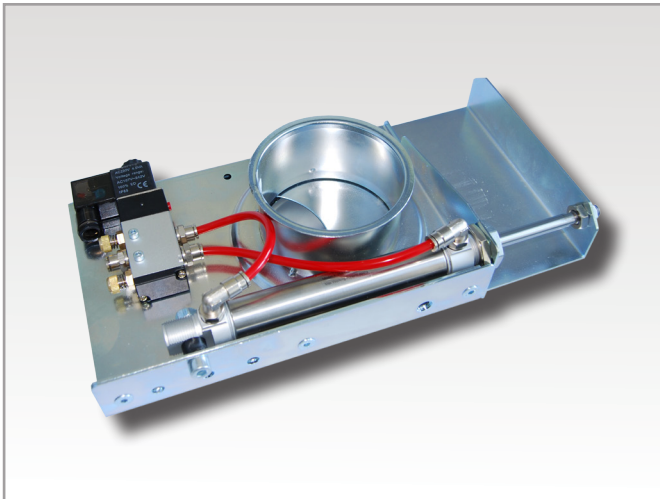


## AUDA/AUDS



The automatic sliding damper AUDA is a compressed air powered damper for tight and rapid closure.

Because the damper is opened and closed automatically, the extraction is always focused on the connections, extraction points or machines that for the time being are in use. This maximizes the extraction power and reduces the energy consumption. It also creates cleaner end products and machinery, cleaner floors and a healthier working environment.

### Design

As standard, the damper is made of zinc plated steel, but is also available in stainless steel AISI 304/316.

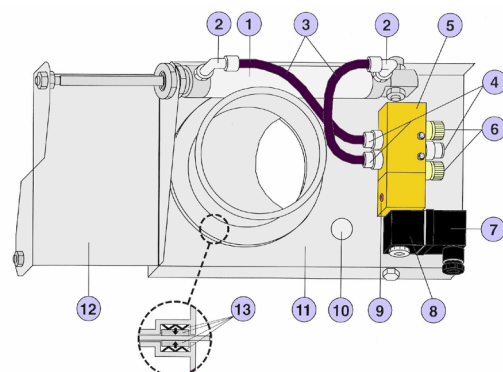
The pipe connections on the damper are equipped with pull ring edge or straight edge, depending on the diameter (see table on the next page). The damper can also be delivered with connections for rolled edge or with flanges.

Air tightness is achieved by using flexible rubber gaskets and sealing rings. Dimensions bigger than Ø 200 mm, come only with sealing rings.

The standard damper can take a heat with a maximum of +80° C. Sealing rings made of Teflon are available, in cases when higher temperature is being used. Working pressure is 6-10 bar.

The damper is opened and closed by one or two compressed cylinders, depending on the diameter. The cylinder is maneuvered by a magnetic port connected to the machinery or to a maneuver switch. With a micro switch mounted on the damper, the fan can for example be turned on or off when the damper is opened or closed.

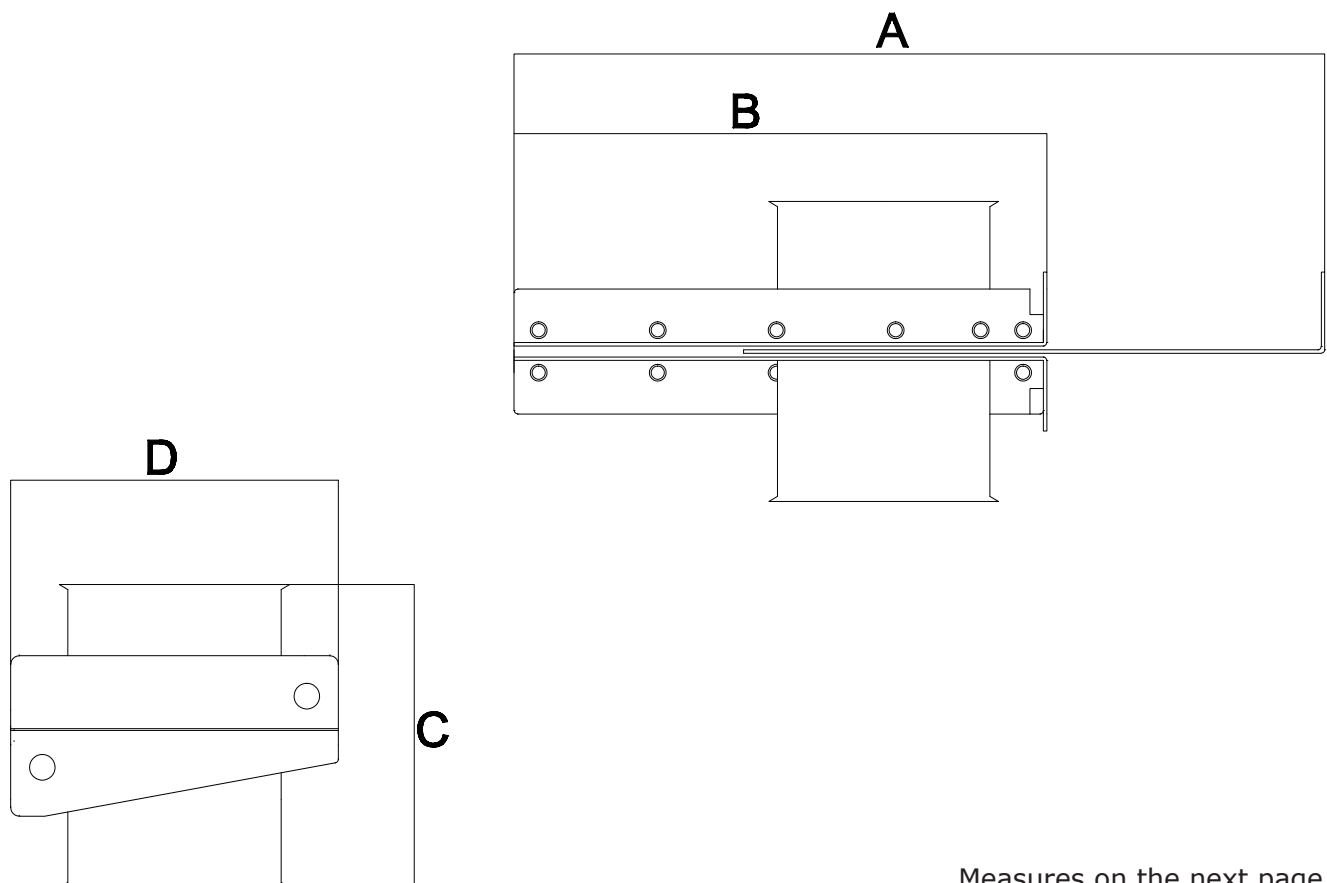
1. Pneumatic cylinder
2. Connection 1/8" - 6 mm hose
3. Hose 6 mm
4. Connection 1/8" - 6 mm hose
5. Solenoid valve
6. Silencer/adjustment
7. Cable terminal
8. Coil 230V AC or 24 V AC/DC
9. Screw for manual operation of solenoid valve
10. Sealings
11. Damper housing
12. Damper blade
13. Sealing



# AUDA/AUDS

## Accessories

Beteckning	Beskrivning
SPDA-01	Solenoid valve
SPDA-02	Coil
SPDA-06	Micro switch
SPDA-07	Micro switch bracket
SPDA-08	Reed sensor
SPDA-09	Bracket for reed sensor



Measures on the next page

## AUDA/AUDS

Ø mm	A mm	B mm	C mm	D mm	Blade th. mm	House th. mm	Weight kg
50*	293	192,5	145	139,5	2	1,5	2,3
63*	293	192,5	145	139,5	2	1,5	2,3
76*	338	222,5	145	156,5	2	1,5	3
80	338	222,5	125	156,5	2	1,5	3
100	398	263	125	176,5	2	1,5	3,3
102*	398	263	125	176,5	2	1,5	3,3
108*	475	313,5	145	201,5	2	1,5	4
120	475	313,5	125	201,5	2	1,5	4
125	475	313,5	125	201,5	2	1,5	4
127*	475	313,5	145	201,5	2	1,5	4
140	548	363	125	226,5	2	1,5	5
150	548	363	125	226,5	2	1,5	5
152*	548	363	125	226,5	2	1,5	5
160	574	382,5	125	236,5	2	1,5	5,2
180	699	463	125	276,5	2	1,5	6,2
200	699	463	125	276,5	2	1,5	6,2
202*	699	463	125	276,5	2	1,5	6,2
225	847	562	165	347	3	2,0	11,3
250	849	562	165	371	3	2,0	13,5
300	1050	692	165	422	3	2,0	20,1
315	1050	692	165	422	3	2,0	21,1
350	1160	763	165	472	3	2,0	25
400	1310	863	165	522	3	2,0	27,4
450	1192	980	250	623	4	3,0	60
500	1644	1082	250	673	4	3,0	66,7
550	1829	1207	250	713	4	3,0	76,1
600	1964	1292	250	783	4	3,0	85,7
630	2044	1342	250	813	4	3,0	91,1
650	2044	1342	250	813	4	3,0	91,1
700	2324	1542	250	893	4	3,0	119,3
800	2564	1692	260	973	4	3,0	134,9

\*with straight edge. The rest is with pull ring edge.

# AUDA/AUDS

---

## Installation and maintenance

**Service switches or lockable master switches for fans must be turned off when working with the damper.**

### Installation

When positioning the damper, the risk of personal injury must be taken into account. The damper must therefore be installed outside the working zone, e.g. at least 2,1 meter above the floor level.

As standard, the pipe connections are equipped with clamp rims. Installation can be carried out in an optional position, but we recommend horizontal.

Connecting pipe work is to be suspended in such a way that the damper is not subjected to rupturing forces. These can cause the damper to jam och to get stuck.

### Electrical installation

Before starting the electrical installation the damper must be connected to the duct work, otherwise the connections on the damper should be covered securely. Electrical connection must be carried out by a qualified electrician.

### Before starting up

1. Check that the damper blade runs smoothly. This should be done after the mechanical installation.
2. Check that the damper is opened and closed when intended.

### Regular maintenance

The damper is maintenance free. When required, it can be cleaned using a cloth dipped in ethylated spirits.

### Troubleshooting when the damper blade jams or gets stuck

1. The damper needs to be cleaned
2. There are rupturing forces in the pipe system
3. The damper blade is damaged
4. Loose sealings

Declaration of conformity according to EU Directive 2006/42/EC.

Be aware that the unit may not go into service until the machine or the system it is to be included in, complies with the requirements of the EU machinery directive.