



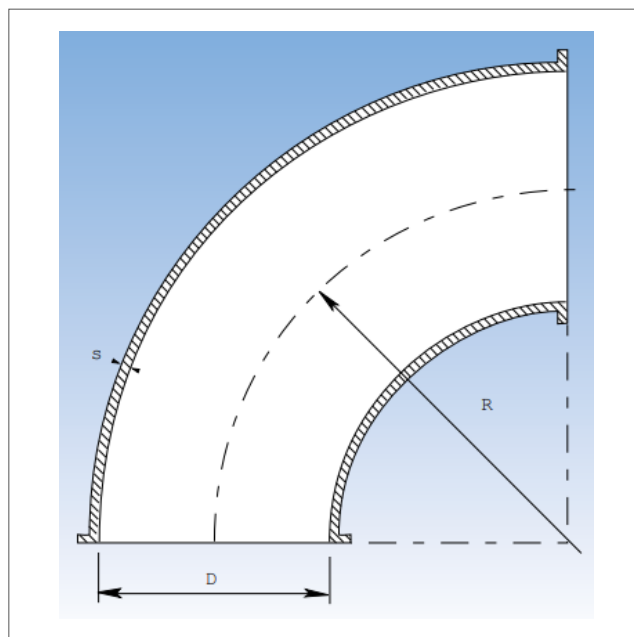
GABF - Bend pressed flange

Galvanized steel - Flanged edge

Bend galvanised, segmented with flange. $R = 1,5 \times \varnothing$



GABF - Bend pressed flange



Drawing pressed bend $R = 1,5 \times D$

| Art.no | Ø (mm) | Degrees (°) | Weight (kg) |
|-------------|--------|-------------|-------------|
| GABF-080-90 | 80 | 90 | 1 |
| GABF-100-90 | 100 | 90 | 1,2 |
| GABF-120-90 | 120 | 90 | 1,6 |
| GABF-125-90 | 125 | 90 | 1,7 |
| GABF-140-90 | 140 | 90 | 1,9 |
| GABF-150-90 | 150 | 90 | 2,6 |
| GABF-160-90 | 160 | 90 | 2,9 |
| GABF-180-90 | 180 | 90 | 3,3 |
| GABF-200-90 | 200 | 90 | 3,9 |
| GABF-225-90 | 225 | 90 | 4,5 |
| GABF-250-90 | 250 | 90 | 5,5 |
| GABF-300-90 | 300 | 90 | 7,9 |
| GABF-315-90 | 315 | 90 | 8,4 |
| GABF-350-90 | 350 | 90 | 10,5 |
| GABF-400-90 | 400 | 90 | 13,9 |

| Art.no | Ø (mm) | Degrees (°) | Weight (kg) |
|---------------|---------------|--------------------|--------------------|
| GABF-080-60 | 80 | 60 | 0,8 |
| GABF-100-60 | 100 | 60 | 0,4 |
| GABF-120-60 | 120 | 60 | 1,3 |
| GABF-125-60 | 125 | 60 | 1,4 |
| GABF-140-60 | 140 | 60 | 1,6 |
| GABF-150-60 | 150 | 60 | 2 |
| GABF-160-60 | 160 | 60 | 2,3 |
| GABF-180-60 | 180 | 60 | 2,6 |
| GABF-200-60 | 200 | 60 | 3,2 |
| GABF-225-60 | 225 | 60 | 3,5 |
| GABF-250-60 | 250 | 60 | 4,5 |
| GABF-300-60 | 300 | 60 | 5,9 |
| GABF-315-60 | 315 | 60 | 6,3 |
| GABF-350-60 | 350 | 60 | 8 |
| GABF-400-60 | 400 | 60 | 10,4 |

| Art.no | Ø (mm) | Degrees (°) | Weight (kg) |
|---------------|---------------|--------------------|--------------------|
| GABF-080-45 | 80 | 45 | 0,7 |
| GABF-100-45 | 100 | 45 | 1 |
| GABF-120-45 | 120 | 45 | 1,1 |
| GABF-125-45 | 125 | 45 | 1,2 |
| GABF-140-45 | 140 | 45 | 1,4 |
| GABF-150-45 | 150 | 45 | 1,8 |
| GABF-160-45 | 160 | 45 | 2 |
| GABF-180-45 | 180 | 45 | 2,3 |
| GABF-200-45 | 200 | 45 | 2,7 |
| GABF-225-45 | 225 | 45 | 3,1 |
| GABF-250-45 | 250 | 45 | 3,5 |
| GABF-300-45 | 300 | 45 | 4,9 |
| GABF-315-45 | 315 | 45 | 5,5 |
| GABF-350-45 | 350 | 45 | 6,9 |
| GABF-400-45 | 400 | 45 | 8,8 |

| Art.no | Ø (mm) | Degrees (°) | Weight (kg) |
|---------------|---------------|--------------------|--------------------|
| GABF-080-30 | 80 | 30 | 0,12 |
| GABF-100-30 | 100 | 30 | 0,8 |
| GABF-120-30 | 120 | 30 | 1 |
| GABF-125-30 | 125 | 30 | 1,1 |
| GABF-140-30 | 140 | 30 | 1,2 |
| GABF-150-30 | 150 | 30 | 1,6 |
| GABF-160-30 | 160 | 30 | 1,7 |
| GABF-180-30 | 180 | 30 | 2 |
| GABF-200-30 | 200 | 30 | 2,4 |
| GABF-225-30 | 225 | 30 | 2,7 |
| GABF-250-30 | 250 | 30 | 3,2 |
| GABF-300-30 | 300 | 30 | 4 |
| GABF-315-30 | 315 | 30 | 4,5 |
| GABF-350-30 | 350 | 30 | 5,8 |
| GABF-400-30 | 400 | 30 | 7,3 |

| Art.no | Ø (mm) | Degrees (°) | Weight (kg) |
|---------------|---------------|--------------------|--------------------|
| GABF-080-15 | 80 | 15 | 0,1 |
| GABF-100-15 | 100 | 15 | 0,8 |
| GABF-120-15 | 120 | 15 | 0,9 |
| GABF-125-15 | 125 | 15 | 1 |
| GABF-140-15 | 140 | 15 | 1,1 |
| GABF-150-15 | 150 | 15 | 1,3 |
| GABF-160-15 | 160 | 15 | 1,5 |
| GABF-180-15 | 180 | 15 | 1,7 |
| GABF-200-15 | 200 | 15 | 1,9 |
| GABF-225-15 | 225 | 15 | 2,1 |
| GABF-250-15 | 250 | 15 | 2,4 |
| GABF-300-15 | 300 | 15 | 2,9 |
| GABF-315-15 | 315 | 15 | 3,6 |
| GABF-350-15 | 350 | 15 | 4,9 |
| GABF-400-15 | 400 | 15 | 5,3 |