



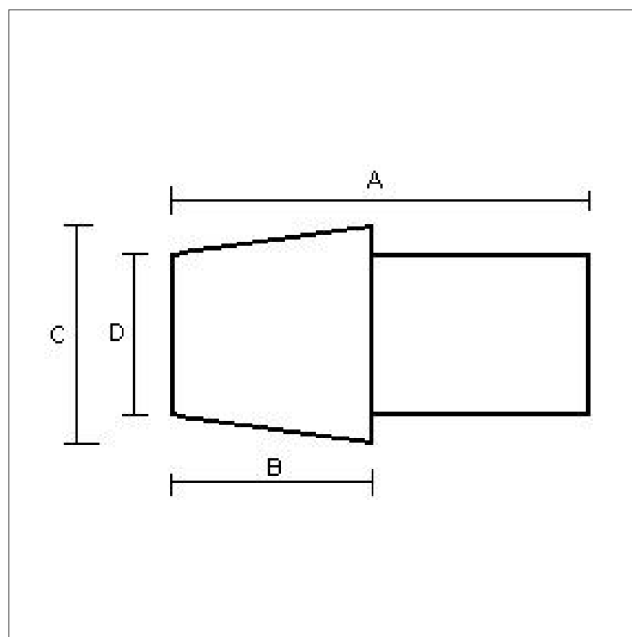
## HOCH - Hose connector

Duct system heavy duty

Flexible hose coupling HOCH is used for connection to the flap valve KLVH. Manufactured in primed steel and rubber



HOCH - Hose connector



HOCH - measurement drawing for hose connector

| Art.no       | A (mm) | B (mm) | C (mm) | D (mm) | Weight (kg) |
|--------------|--------|--------|--------|--------|-------------|
| HOCH-076-050 | 210    | 110    | 78     | 66     | 0.7         |
| HOCH-076-060 | 210    | 110    | 78     | 66     | 0.65        |
| HOCH-076-076 | 210    | 110    | 78     | 66     | 0.8         |
| HOCH-108-100 | 210    | 110    | 110    | 105    | 1.4         |
| HOCH-108-076 | 210    | 110    | 110    | 105    | 1.3         |
| HOCH-108-060 | 210    | 110    | 110    | 105    | 1.2         |
| HOCH-108-050 | 210    | 110    | 110    | 105    | 1.2         |