



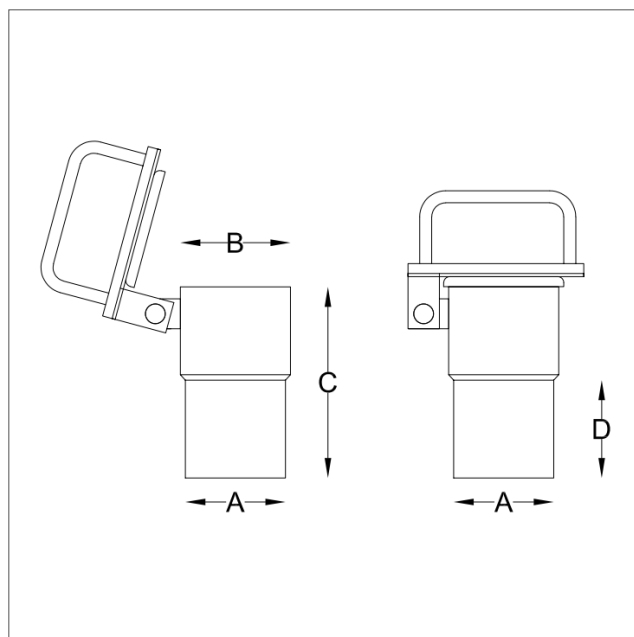
## KLVA - Flap valve

Duct system galvanized

Valve valve KLVA is galvanized and equipped with a self-closing spring cap. Conical, mounted inside the pipe. Suitable for flexible hoses, connected with HOCO hose connection.



KLVA - Flap valve



KLVA/KLSM - drawing, se measurement in the table

Art.no	Ø A,B outside	A (mm)	B (mm)	C (mm)	D (mm)	Weight (kg)
KLVA-038-038	038-038	34.8	38.2	64.8	20.8	0.3
KLVA-050-050	050-050	47	47.9	64.8	21	0.35
KLVA-063-050	063-050	59.5	47.9	84.5	34.7	0.55
KLVA-063-063	063-063	58.9	67.6	82	30.5	0.7
KLVA-076-063	076-063	71.9	67.5	86.1	26.4	0.7
KLVA-076-076	076-076	71.9	75.8	85.5	33.6	0.85