



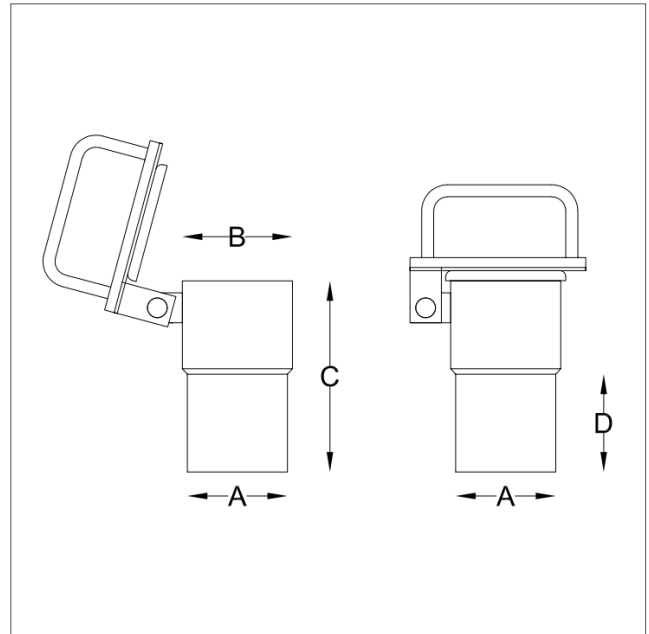
KLVM - Flap valve with switch

Duct system galvanized

Valve valve KLVM, galvanised steel, for connection with PICO coupling. Equipped with micro switch that starts the system when the lid is opened. The microswitch is also available in ATEX-approved version. The flap valve equipped with a self-closing spring cap. The valve is coned is mounted directly on to the connecting pipe/fitting the pipe without connections. Suitable for flexible hoses, connected by HOCO hose coupling.



KLVM - Flap valve with switch



KLVA/KLSM - drawing, se measurement in the table

Art.no	Ø A,B outside	A (mm)	B (mm)	C (mm)	D (mm)	Weight (kg)
KLVM-050-050	050-050	34.8	38.2	64.8	20.8	0.45
KLVM-063-050	063-050	47	47.9	64.8	21	0.65
KLVM-063-063	063-063	59.5	47.9	84.5	34.7	0.8
KLVM-076-063	076-063	58.9	67.6	82	30.5	0.8
KLVM-076-076	076-076	71.9	67.5	86.1	26.4	0.95