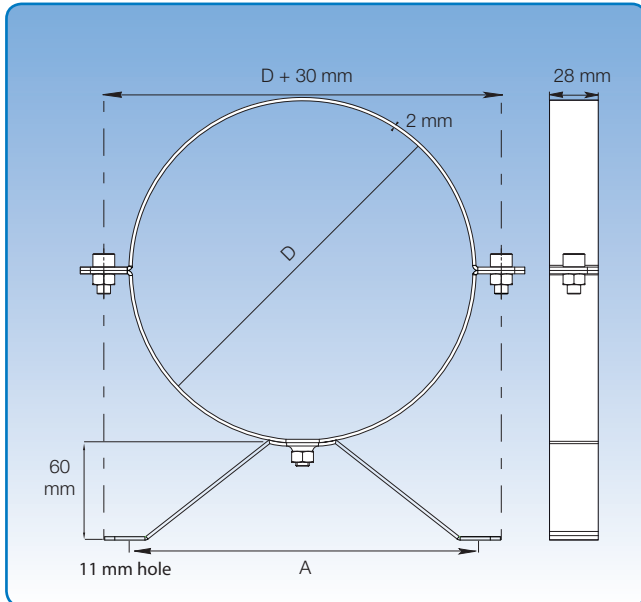


Clip bands, galvanised

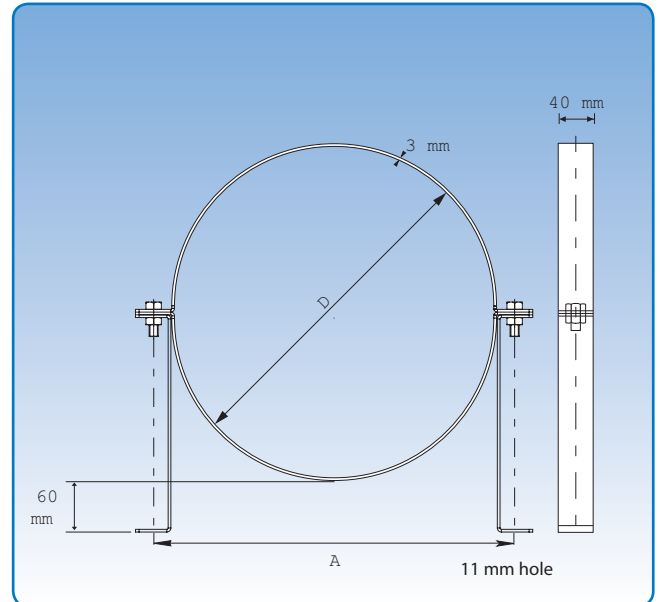
Technical catalogue: Duct systems
 Section: 09
 Page: 1/7
 Revised: 01.05.2009



Diameter: $\varnothing 80 - \varnothing 315$ mm.

Supplied for mounting JKF duct systems. 3 different mounting principles: with legs, wall mounted and hanging.

Recommended distance between bands: 1 band to every other assembly.



Diameter: $\varnothing 350 - \varnothing 800$ mm.

Supplied for mounting JKF duct systems. 3 different mounting principles: with legs, wall mounted and hanging.

Recommended distance between bands: 1 band to every other assembly.

s = 2 mm			
Item no.	D mm	A mm	Weight kg
4640290	80	132	0,27
4641290	100	132	0,29
4642290	120	132	0,32
4643290	125	132	0,33
4644290	140	132	0,35
4645290	150	132	0,36
4646290	160	132	0,38
4647290	180	210	0,43
4648290	200	210	0,46
4649290	225	210	0,50
4650290	250	210	0,53
4650390	275	210	0,57
4651290	300	210	0,60
4652290	315	210	0,62

s = 3 mm			
Item no.	D mm	A mm	Weight kg
4653290	350	240	1,66
4683290	375	426	1,71
4654290	400	451	1,83
4684290	425	476	1,91
4655290	450	501	2,01
4685290	475	526	2,08
4656290	500	551	2,27
4657290	550	601	2,33
4658290	600	651	2,42
4658330	630	681	2,51
4658390	650	701	3,64
4659290	700	761	3,88
4659390	750	811	4,09
4659490	800	861	4,31