

Rubber flanges

Technical catalogue: Duct systems
 Section: 07
 Page: 2/2
 Revised: 01.05.2009

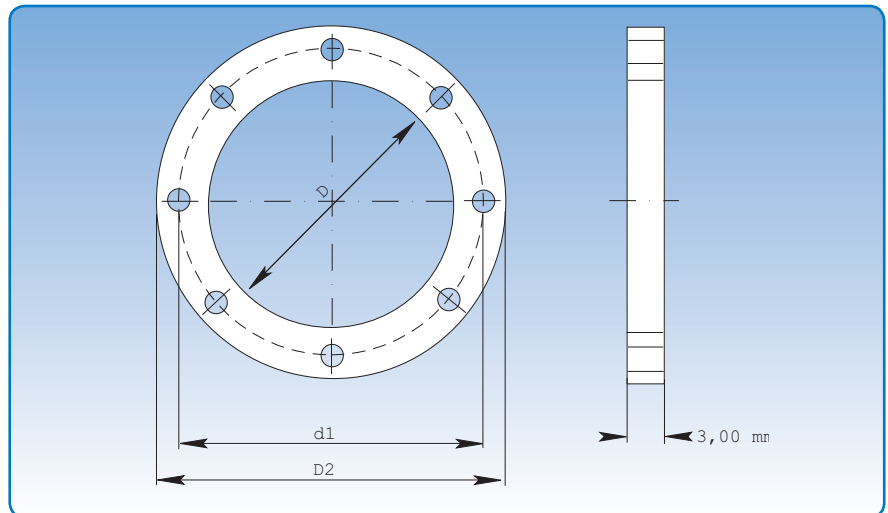
Diameter: ø80 - ø1250 mm.

Rubber flanges are made of NITRIL rubber, adapted to JKF's standard flange range.

Hardness: 65 shore.

Temperature range: -10°C to +70°C.

Resistant to oil and petrol and to a limited extent acid and base chemicals.



Dimensional specifications are given in the table below.

Item no.	Diameter nominal	D mm	Dimensions			Flange width mm	Hole size mm	Quant. holes	Weight kg
			d1 mm	D2 mm					
820150080	80	83	115	133	25	8	8	0,02	
820150100	100	103	135	153	25	8	8	0,03	
820150120	120	123	155	173	25	8	8	0,04	
820150125	125	128	160	178	25	8	8	0,05	
820150140	140	143	175	193	25	8	8	0,05	
820150150	150	155	185	205	25	8	8	0,06	
820150160	160	165	195	215	25	8	8	0,06	
820150180	180	185	215	235	25	8	8	0,07	
820150200	200	205	235	255	25	8	12	0,08	
820150225	225	230	260	280	25	8	12	0,09	
820150250	250	255	285	305	25	8	12	0,10	
820150275	275	280	310	330	25	8	12	0,10	
820150300	300	305	336	355	25	8	12	0,11	
820150315	315	320	351	370	25	8	12	0,13	
820150350	350	355	389	415	26	10	12	0,15	
820150400	400	405	439	465	30	10	16	0,18	
820150450	450	455	389	515	30	10	16	0,21	
820150500	500	505	540	565	30	10	16	0,22	
820150550	550	555	590	615	30	10	16	0,25	
820150600	600	605	640	665	30	10	16	0,29	
820150630	630	635	670	695	30	10	24	0,33	
820150650	650	655	690	715	30	10	24	0,35	
820150700	700	705	750	785	40	10	24	0,38	
820150750	750	755	800	835	40	10	24	0,41	
820150800	800	805	850	885	40	10	24	0,49	
820150850	850	855	900	935	40	10	24	0,52	
820150900	900	905	950	985	40	10	24	0,54	
820150950	950	955	1000	1035	40	10	24	0,55	
820151000	1000	1005	1050	1085	40	10	24	0,56	
820151100	1100	1105	1150	1185	40	10	24	0,59	
820151200	1200	1205	1250	1285	40	10	24	0,61	
820151250	1250	1255	1300	1335	40	10	28	0,62	