

# Lump Breaking Feeder Valves

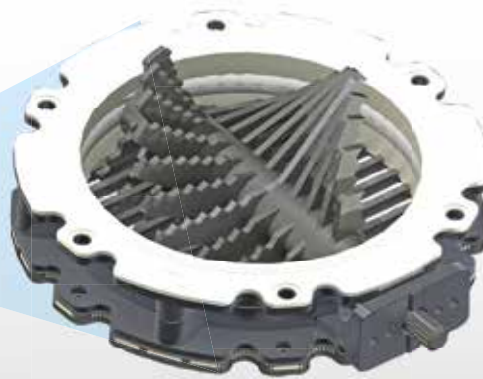
LBC



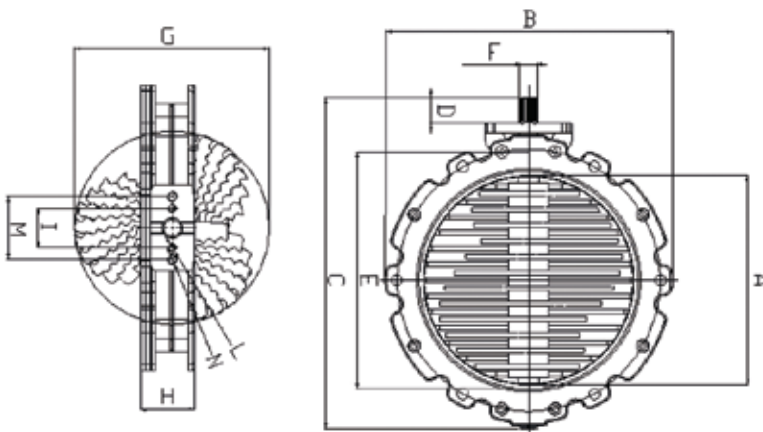
## NO CLOGGING EVEN WITH MATERIALS THAT HAVE TURNED HARD

The LBC Lump Breaking Feeder Valve enables safe and smooth segregation of bulk materials that tend to pack forming lumps during processing and/or storage (e.g. sugar, salt, silicates, chemicals and food products in general). The LBC is the ideal solution to break up snow-ball like materials. Its design favours gentle crumbling even with hardened material under a material column.

The LBC Lump Breaking Feeder Valve can be fitted on loading and/or discharging pipes, for emptying or filling drums, bins, or FIBCs.



### Overall Dimensions



CODE	A	B	C	D	E	F	G	H	I	L	M	kg
LBC 0150	164	255	306	31	225	DIN5482	146,5	66	50	2 x M10	80	9
LBC 0200	213	310	367	33	280	DIN5482	199	68	50	2 x M10	80	13
LBC 0250	267	365	422	33	335	DIN5482	248	68	50	2 x M10	80	18
LBC 0300	318	425	488	33	395	DIN5482	299	68	50	2 x M10	80	21
LBC 0350 *	374	475	552	48	445	DIN5482	358	80	*	*	80	35
LBC 0400 *	424	525	603	48	495	DIN5482	410	80	*	*	80	40

\* currently not available

Dimensions in mm

## Benefits



**Segregation without particle degradation**



**Improved material flow**



**Enhanced material quality**



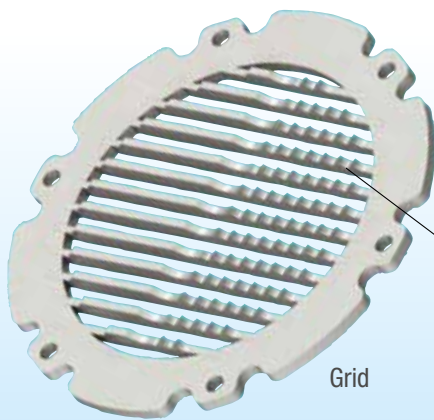
**Less maintenance of downstream plant components**



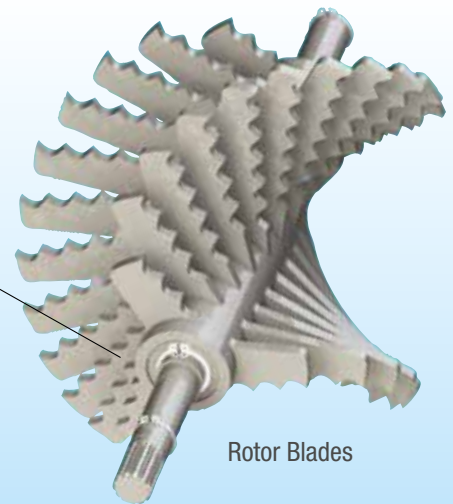
**Cost-effective**

## Technical Features

- Pipe spigots
- Single-shaft configuration
- Replaceable blades in mild steel or stainless steel
- Easy to disassemble and clean
- Compact design for easy maintenance
- Food-grade version on request 



Grid



Rotor Blades

## Industries



Animal Feed Milling



Plastics Processing



Dry-Mix Processing



Bakeries



Flour Milling



Cosmetics



Environmental Technology



Chemicals



Ceramics



Glass Processing

# Application



## ACTUATOR COMPATIBILITY

For further details refer to Technical Catalogue



+



Gear Motor Actuator  
AE



203001739 April 2021 Rights reserved to modify technical specifications.

This brochure has been edited for distribution in European Union countries.

