

# Plastics Processing

## WAMFLO® Dust Collector FNX-310



3



### Description ▼

The ATEX-compliant WAMFLO® FNX-310 Dust Collector has been specifically developed for use in the plastics processing industry. It is equipped with a cylindrically shaped stainless steel body with lower flanged connection. The casing contains vertically mounted WAM® cartridge or bag-type filter elements. The air jet cleaning system is integrated in the top cover.

### Function ▼

WAMFLO® FNX-310 Dust Collectors are used for both venting and suction applications. Dust is separated from the air flow by means of antistatic filtering elements with an efficiency of 99.9%. The filter media is kept clean by an integrated reverse air jet cleaning system which removes the collected dust from the media.

### Application ▼

WAMFLO® FNX-310 Dust Collectors are used for both venting and suction applications. The modular system combines the maximum safety of a flanged body connection with the variety of options in terms of type of filter media and filtering elements with the unique integrated pneumatic cleaning system design.



DS 310-FNX-EN, December 2012, 001  
Rights reserved to modify technical specifications.

### Benefits ▼

- ✓ Safety for OEM and End User;
- ✓ Operating cost reduction;
- ✓ Low energy consumption;
- ✓ Maintenance cost reduction;
- ✓ Compliance with health and safety standards;
- ✓ Attractive price.



# Plastics Processing

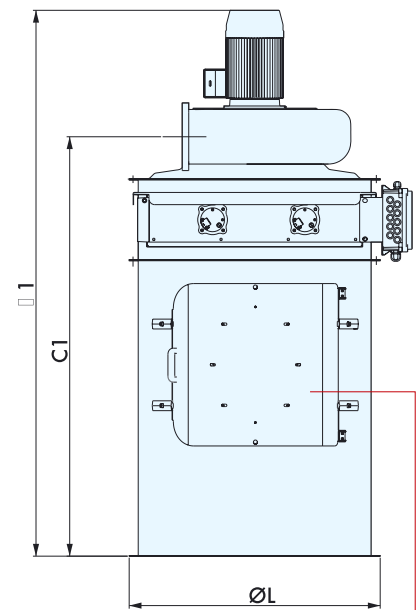
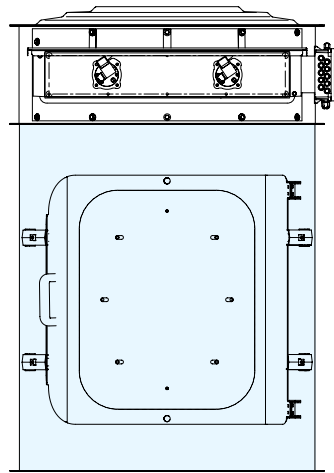
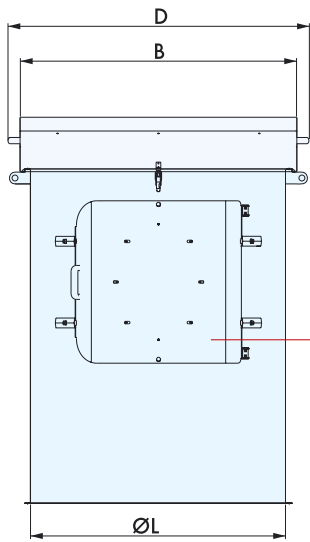
## WAMFLO® Dust Collector FNX-310



### Technical Features / Performance ▼

- ▶ ATEX-compliant
- ▶ 304 stainless steel flanged cylindrical shape body
- ▶ Filter surface from 5 to 16m<sup>2</sup>
- ▶ Low emission level due to B.I.A.-certified filter media
- ▶ Pred = 1 bar
- ▶ Compressed air jet cleaning system integrated in top cover
- ▶ High cleaning efficiency due to "Full Immersion" solenoid valves incorporated in aluminium air tank (corrosion-resistant) for low-on-maintenance operation
- ▶ Safe weather protection cover with lockable snap hook
- ▶ No tools for filtering element removal required
- ▶ Max. negative pressure: -0.5 bar
- ▶ Large inspection door

### Overall Dimensions ▼



option

option

Filter Surface (m <sup>2</sup> )		Ø L	A	B	C	D	E	A1	C1
FNC FNS ①	FNM FNB ②								
7	-	600	746	690	520	775	880	1.325	913
12	3	600	1.146	690	920	775	880	1.725	1.313
22	5	800	1.146	875	920	960	1.010	1.830	1.343
-	8	800	1.586	875	1.360	960	1.010	2.270	1.783
-	11	800	2.066	875	1.840	960	1.010	2.750	2.263
-	16	1.000	1.586	1.125	1.360	1.210	1.325	2.295	1.803

Dimensions in mm

*This datasheet might not show the complete range but only the models most suitable for the application.*



www.wamgroup.com

DS310.FNX.EN December 2012.001 Rights reserved to modify technical specifications.