

Concrete Production

WAMFLO® Front Dust Collector



9

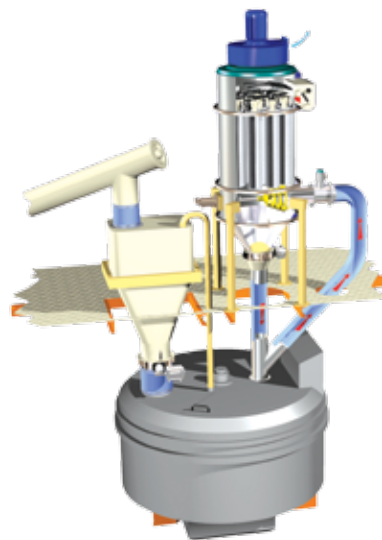


Description ▼

WAMFLO® Front Dust Collectors are equipped with a cylindrical shape stainless steel body with flanged connection that contains vertically mounted filter elements. The air jet cleaning system is integrated in the top cover. A top-mounted suction fan creates the negative pressure necessary for de-dusting.

Function ▼

The modular system combines the maximum safety of a flanged body connection with the variety of options in terms of type of filter media and filtering elements with the unique integrated pneumatic cleaning system design. Membrane-type, water-repellent filter elements ensure efficient dust collection and separation of moist particles.



Application ▼

In concrete batching plants WAMFLO® Front Dust Collectors are used for de-dusting the stationary concrete mixer.

Benefits ▼

- ✓ Safety for OEM and End User;
- ✓ Operating cost reduction;
- ✓ Low energy consumption;
- ✓ Maintenance cost reduction;
- ✓ Compliance with health and safety standards;
- ✓ Attractive price.



Concrete Production

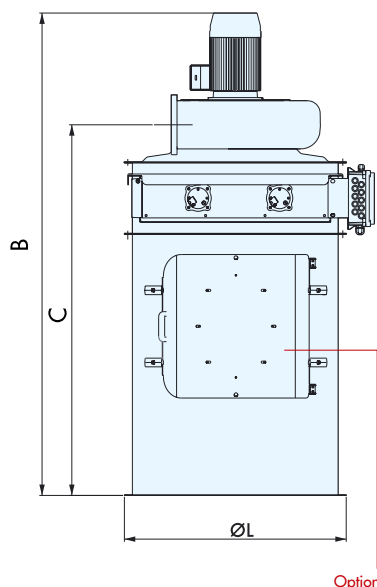
WAMFLO® Front Dust Collector



Technical Features / Performance ▼

- ▶ 304 stainless steel flanged cylindrical shape body
- ▶ Filter surface from 12 to 22m²
- ▶ Low emission level due to B.I.A.-certified filter media
- ▶ Air Volume from 60 m³/h to 1,400 m³/h
- ▶ Compressed air jet cleaning system
- ▶ High cleaning efficiency due to "Full Immersion" solenoid valves incorporated in aluminium air tank (corrosion-resistant) for low-maintenance operation
- ▶ Fan integrated into top cover
- ▶ No tools for filtering element removal required
- ▶ Large inspection door

Overall Dimensions ▼



MIXER VOLUME m ³	Filter Surface m ²	Ø L	B	C	Fan kW
	FNS				
1 - 1.5 - 2	12	600	1,725	1,313	1.5
3 - 3.5 - 4	22	800	1,830	1,343	2.2

DS.110_DS.110.WAMFLO-Front.March 2014.R00 Rights reserved to modify technical specifications.

This datasheet does not show the complete range but only the models most suitable for the application.