

Lime Dosing

WAMFLO®

Silo Venting Filters

3



Description ▼

WAMFLO® Dust Collectors have been specifically developed for venting pneumatically loaded silos containing sticky materials. WAMFLO® is equipped with a round stainless steel body (diameter 1,000mm) that contains vertically mounted round bag-type filter elements with polyester felt filter media. To keep the filter media clean an air jet cleaning system is integrated in the 304 stainless steel top cover.

Function ▼

WAMFLO® Dust Collectors are used for both venting and suction applications. Dust separated from the air flow by the round bags drops back into the silo, after an integrated automatic reverse air jet cleaning system has removed it from the filter elements.



Application ▼

WAMFLO® Dust Collectors are mainly used for venting of lime silos. The total filter surface amounts to 16 m².

Benefits ▼

- ✓ **Compliance with health and safety standards;**
- ✓ **Dust emission < 10 mg/Nm³;**
- ✓ **Air volume 1,800 m³/h;**
- ✓ **Real filter surface 16 m²;**
- ✓ **Round bags available on after-market;**
- ✓ **Easy maintenance thanks to filter elements manually removable without tools;**
- ✓ **Durable thanks to stainless steel design and high quality filter media;**
- ✓ **Easy maintenance thanks to cleaning system integrated in weather protection cover;**
- ✓ **Round bags particularly suitable with sticky materials.**

Lime Dosing

WAMFLO®

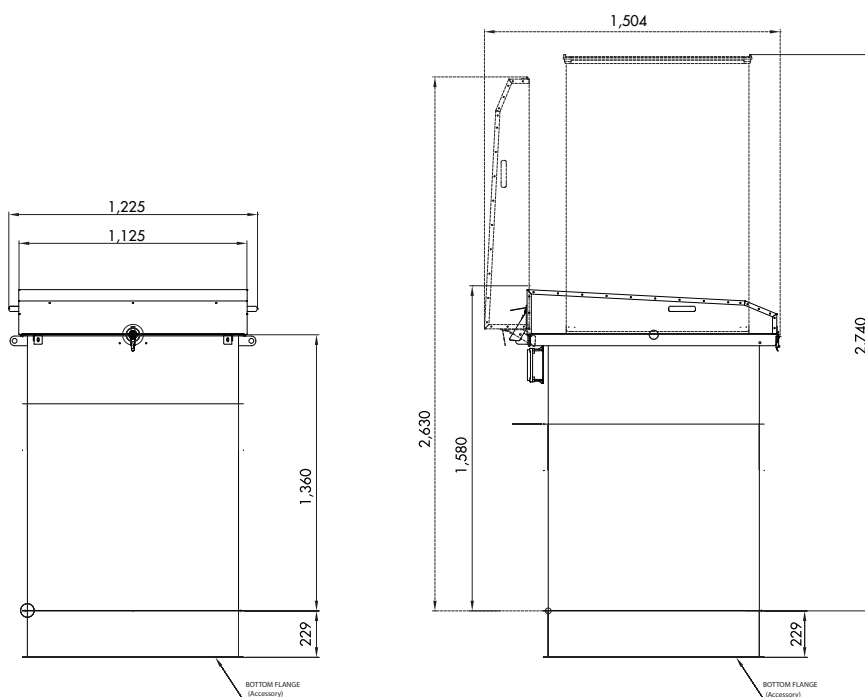
Silo Venting Filters



Technical Features / Performance ▼

- ▶ 304 SS flanged cylindrical body (Ø 1,000mm)
- ▶ Filter surface 16m² (more on request)
- ▶ Dust emission < 10 mg/Nm³
- ▶ Compressed air-jet cleaning system integrated in top cover
- ▶ Air volume: max 1,800 m³/h
- ▶ High cleaning efficiency due to "Full Immersion" solenoid valves integrated in aluminium air tank (corrosion-resistant) ensuring low-maintenance operation
- ▶ No tools for filtering element removal required

Overall Dimensions ▼



FILTER CODE	FILTER SURFACE (m ²)	Ø L	A	B	C
FNM4J16	16	1,038	1,692	2,351	1,859

DS.810.WAMFLO.EN, September 2014, 8000 Rights reserved to modify technical specifications.

This datasheet does not show the complete range but only the models most suitable for the application.



www.wamgroup.com