

Pasta Processing Plant

WAMFLO® Dust Collectors FN and FNX



6



Description ▼

WAMFLO® FN Dust Collectors have been specifically developed for Pasta Processing Plants. They are equipped with a round stainless steel body with a large residue-free access door for filter element removal. The casing contains vertically mounted round bag-type filter elements with antistatic filter media. To keep the filter media clean an air jet cleaning system is integrated in the top cover.

Function ▼

WAMFLO® FN Dust Collectors are used for both venting and suction applications. Dust separated from the air flow by round bag-type filter elements drops back into the silo, bin or hopper after an integrated automatic reverse air jet cleaning system has removed it from the filter elements.



Application ▼

WAMFLO® FN Dust Collectors are mainly used for final product silo venting and weigh hopper venting. They are equipped with a centrifugal fan with a potential air volume capacity of up to 53 m³/min.

Benefits ▼

- ✓ Running cost reduction;
- ✓ Residue-free access door;
- ✓ Round bags available in after-market;
- ✓ Compliance with health and safety standards;
- ✓ Maintenance cost reduction;
- ✓ Safety for OEM and End User.



www.wamgroup.com

Pasta Processing Plant

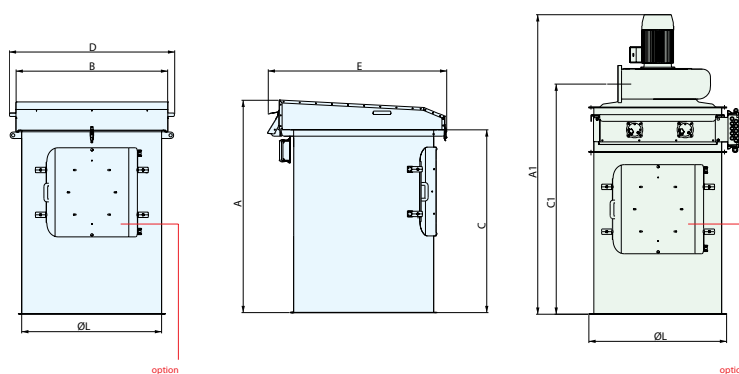
WAMFLO® Dust Collectors FN and FNX



Technical Features / Performance ▼

- ▶ 304 SS (316 SS on request) flanged cylindrical body
- ▶ Filter surface from 2 to 21 m²
- ▶ Low emission level due to B.I.A.-certified filter media
- ▶ Compressed air jet cleaning system integrated in top cover
- ▶ High efficiency centrifugal fan
- ▶ Pred = 1 barg
- ▶ ATEX category 2/3D and 2/2D
- ▶ High cleaning efficiency due to "Full Immersion" solenoid valves incorporated in aluminium air tank (corrosion-resistant) for low-maintenance operation
- ▶ No tools required for filtering element removal
- ▶ Large access door for comfortable filter element removal

Overall Dimensions ▼



Filter Surface (m ²)				Ø L	A	B	C	D	E	A1	C1
FNW ①	FNE ②	FNM / FNB ③	FNC / FNS ④								
-	-	-	2-4	400	746	495	520	580	635	1,197	879
-	-	-	3-5	400	996	495	770	580	635	1,447	1,129
-	-	1	6	400	1,146	495	920	580	635	1,597	1,279
-	-	2	-	400	1,586	495	1,360	580	635	2,037	1,719
-	-	3	-	400	2,066	495	1,840	580	635	2,517	2,199
7	2	-	7	600	746	690	520	775	880	1,325	913
11	-	-	10	600	996	690	770	775	880	1,575	1,163
14	4	3	12	600	1,146	690	920	775	880	1,725	1,313
-	7	5	-	600	1,586	690	1,360	775	880	2,165	1,753
-	9	6	-	600	2,066	690	1,840	775	880	2,645	2,233
13	4	-	12	800	746	875	520	960	1,010	1,430	943
20	-	-	18	800	996	875	770	960	1,010	1,680	1,193
24	7	5	22	800	1,146	875	920	960	1,010	1,830	1,343
-	10	8	-	800	1,586	875	1,360	960	1,010	2,270	1,783
-	13	11	-	800	2,066	875	1,840	960	1,010	2,750	2,263
27	6	-	24	1,000	746	1,125	520	1,210	1,325	1,455	963
40	-	-	36	1,000	996	1,125	770	1,210	1,325	1,705	1,213
48	12	11	44	1,000	1,146	1,125	920	1,210	1,325	1,855	1,363
-	18	16	-	1,000	1,586	1,125	1,360	1,210	1,325	2,295	1,803
-	24	21	-	1,000	2,066	1,125	1,840	1,210	1,325	2,775	2,283

Rights reserved to modify technical specifications.

DS.120.WAMFLO.01.May 2013.000

This datasheet might not show the complete range but only the models specialised for the application.



www.wamgroup.com